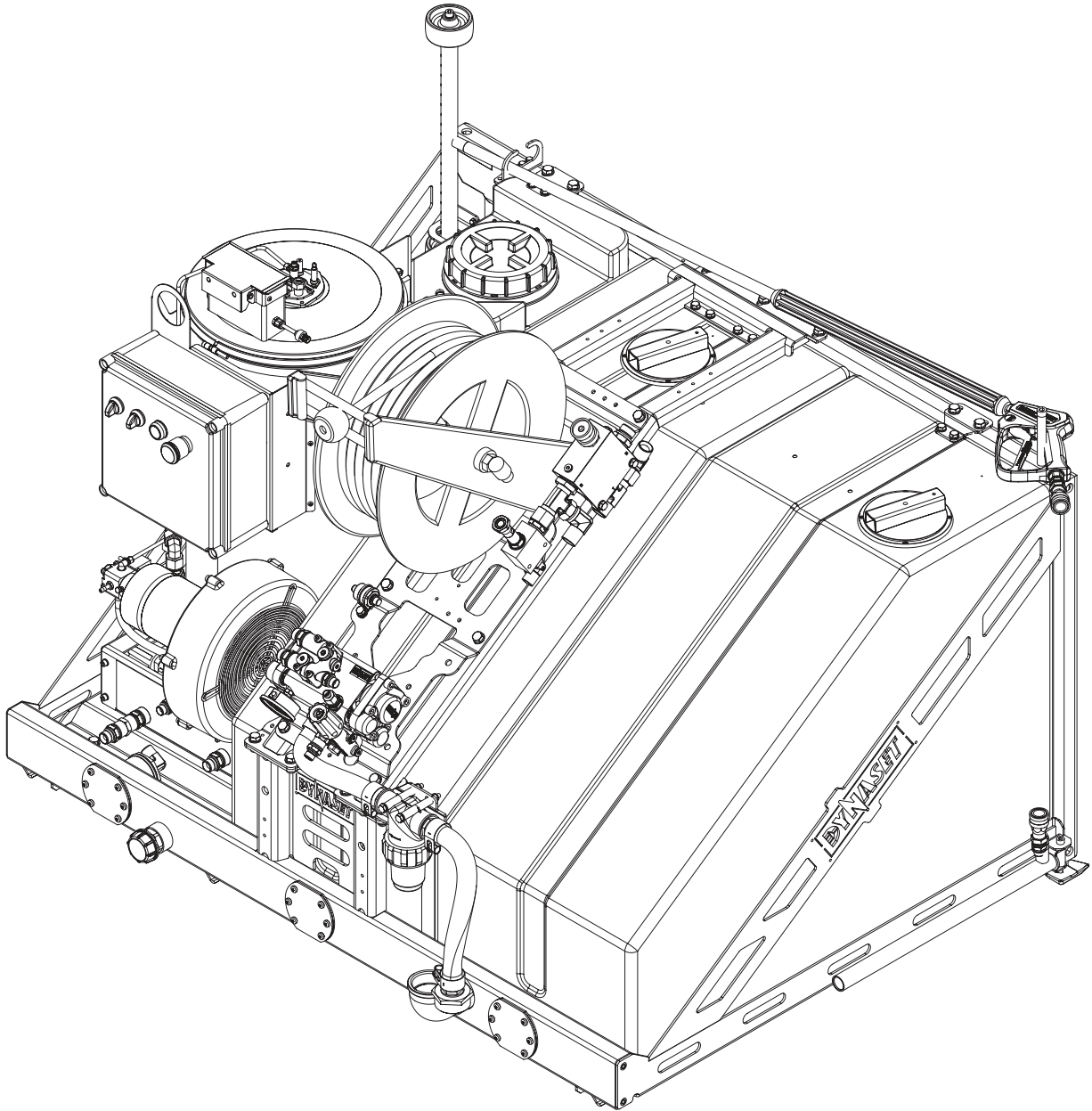


DYNASET

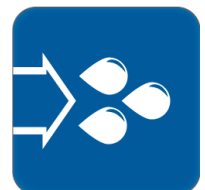
POWERED BY HYDRAULICS



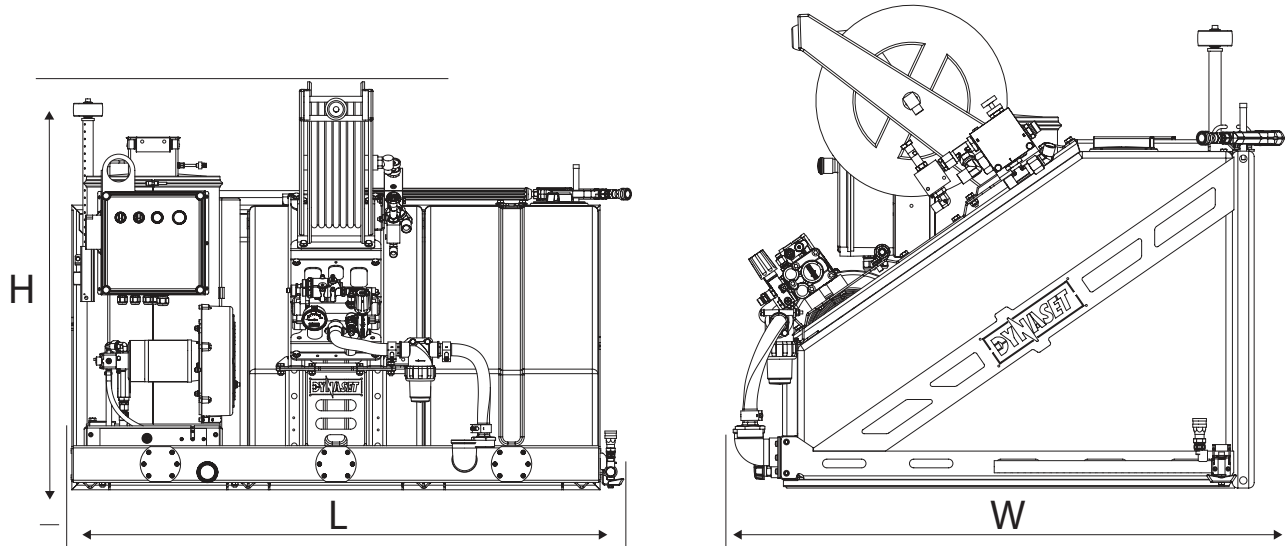
JMA
rev1.0
11/22

DATA SHEET

KPL-WEED Weedkiller Unit



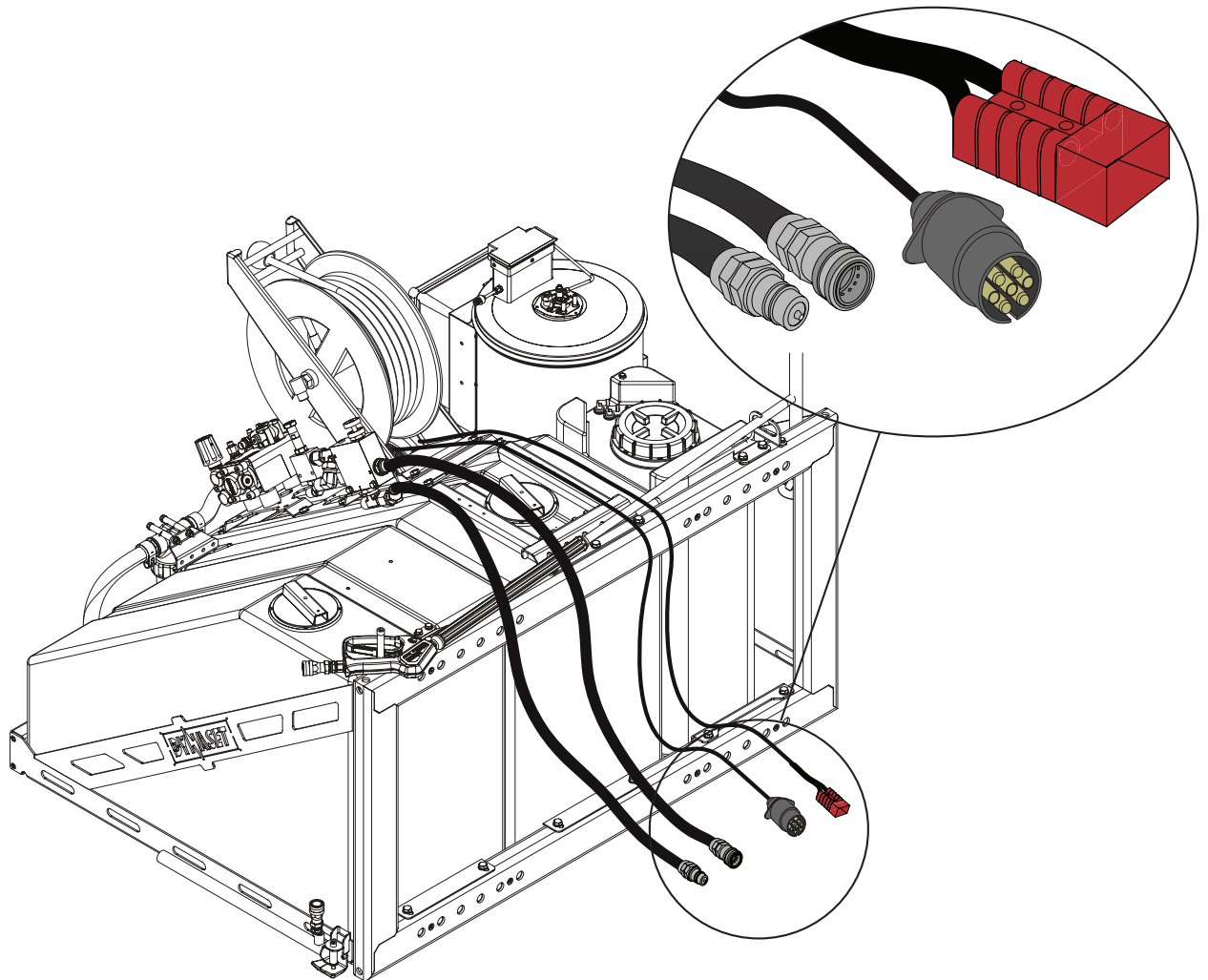
MEASUREMENTS



MODEL	DIMENSIONS, mm (in)			WEIGHT*
	L	W	H	
KPL	1502 (59.1)	1180 (46.5)	1100 (43.3)	304 (670)

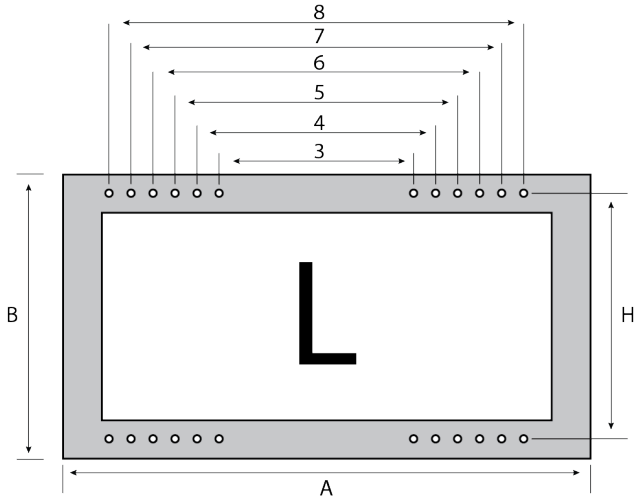
* Weight without fuel, water and quick adapters

CONNECTIONS



MODEL	PRESSURE LINE	RETURN LINE	ELECTRIC CONNECTION KPL	ELECTRIC CONNECTION WHU
	P	T	E	W
KPL-WEED	P = 1/2" ISO A-7241	1" TEMA 10011	ISO 1724	+12V

QUICK ADAPTER CONNECTION POINTS



HOLE DISTANCE, mm (in)								
1	2	3	4	5	6	7	8	H
270 (10.6)	390 (15.3)	510 (20.1)	630 (24.8)	750 (29.5)	870 (34.2)	990 (39.0)	1110 (43.7)	675 (26.6)
MEASUREMENTS, mm (in)								
A	1190 (46.9)							
B	765 (30.1)							

TECHNICAL SPECIFICATIONS

		KPL-WEED
WATER POWER		
Water output max.	l/min (gpm)	30 (7.92)
Pressure max.	bar (psi)	250 (3600)
Working width	cm (in)	180 (70.9)
Water tank	l (gal)	540 (142.65)
Water filter thread size		R3/4"
Water filter mesh		80 or better
WEED CONTROL PIPE		
Water output max.	l/min (gpm)	18 (4.75)
Washing pipe width	mm (in)	500 (19.7)
WATER PISTOL		
Water pistol hose diameter		3/8"
Water pistol hose length	m (feet)	20m (65.6)
Water pistol		ST2300-SW-800-2508
WHU WATER HEATING UNIT		
Heating power	kW	110
Fuel tank	l (gal)	80 (21.1)
HYDRAULIC POWER REQUIREMENTS		
Oil flow max.	l/min (gpm)	Weed 28 (7.4) / KPL 40 (10.56)
Pressure max.	bar (psi)	Weed 100 (145) / KPL 210 (3046)
HYDRAULIC FLUID REQUIREMENTS		
Viscosity	cSt	10-200 / optimum 25-35
Temperature **	°C (°F)	max. 70 (158)
Filter ratio	µm	25 or better
Cooling capacity requirement	kW	2

Gallons are U.S. liquid gallons

* Electric turning device control available in 12VDC and 24VDC

** Depending on hydraulic fluid.