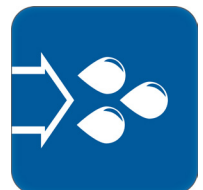


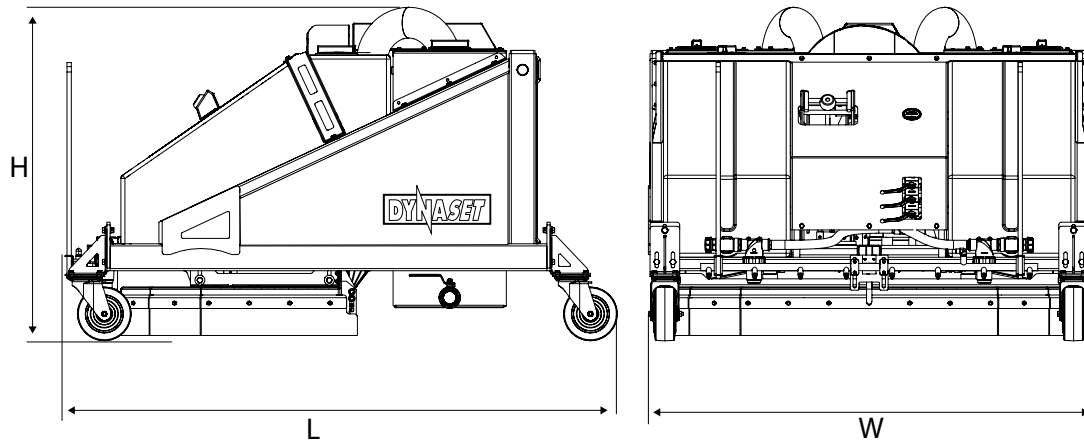
**DATA SHEET**  
**SURFACE CLEANING UNIT**



V1.0  
10/21

SCU

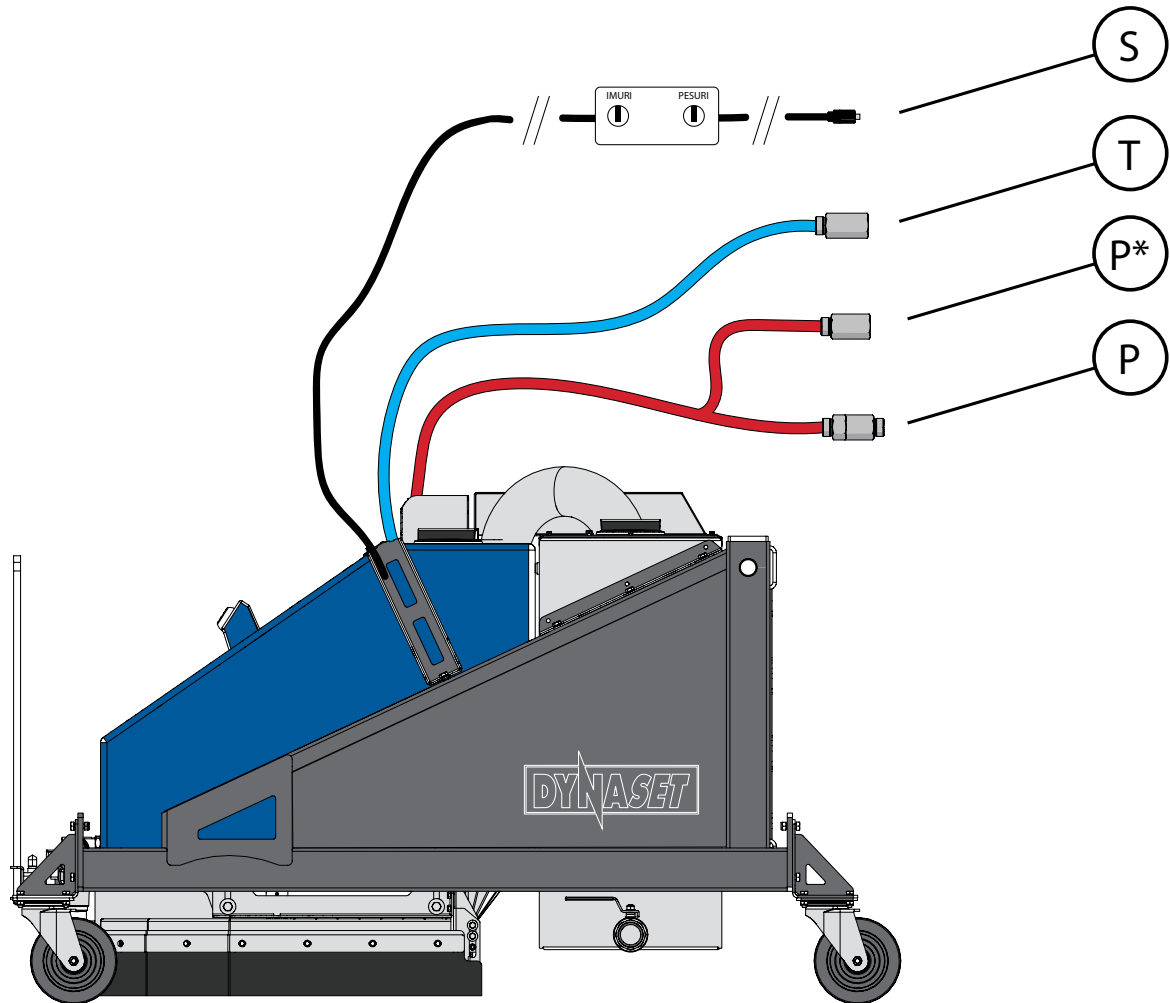
### DIMENSIONS



MODEL	DIMENSIONS, mm (in)			WEIGHT*
	L	W	H	kg (lbs)
SCU	2043 (80.4)	1638 (64.5)	1237 (48.7)	720 (1600)

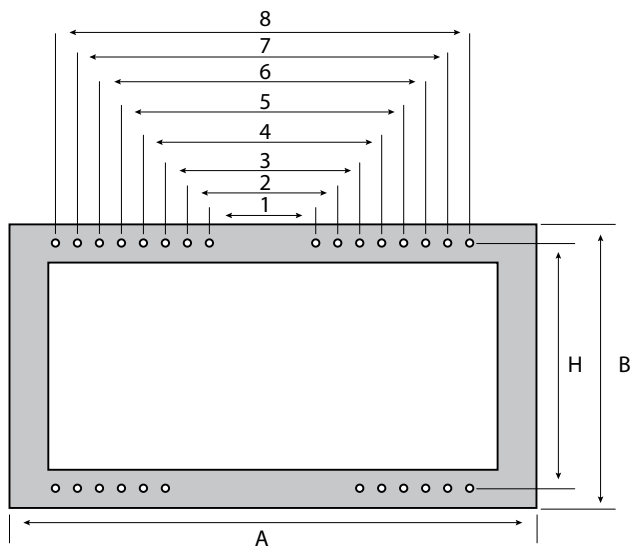
\* Weight without quick attachment.

### HOSE CONNECTIONS



MODEL	PRESSURE LINE	RETURN LINE	ELECTRIC CONNECTOR
	P, P*	T	S
SCU	P = 1/2" ISO A-7241 P* = 1" TEMA 10021	1" TEMA 10011	+12V DIN

### QUICK ATTACHMENT FASTENING POINTS



BOLT DISTANCE, mm (in)								
1	2	3	4	5	6	7	8	H
270 (10.6)	390 (15.3)	510 (20.1)	630 (24.8)	750 (29.5)	870 (34.2)	990 (39.0)	1110 (43.7)	675 (26.6)
OVERALL DIMENSIONS, mm (in)								
A	1190 (46.9)							
B	765 (30.1)							

### TECHNICAL SPECIFICATIONS

		SCU
<b>WATER POWER</b>		
Water output max.	l/min (gpm)	50 (13.2)
Pressure max.	bar (psi)	220 (3200)
Working width	cm (in)	150 (59.1)
Water tank	l (gal)	540 (142.65)
Water filter size		R3/4"
Water filter mesh		80 or better
<b>VACUUM WASHING UNIT</b>		
Vacuum, max.	kPa	- 8
Airflow, max.	m <sup>3</sup> /s	3,4
Washing nozzles		6
Working width	cm (in)	150 (59.1)
<b>NOZZLE PIPE</b>		
Washing pipe width	mm (in)	1250 (49.2)
Washing nozzles		8
<b>WATER PISTOL</b>		
Water pistol hose diameter		3/8"
Water pistol hose length	m (feet)	20 m (65,6)
Water pistol		ST2300-SW-800-2508
<b>HYDRAULIC POWER REQUIREMENTS</b>		
Oil flow nom.	l/min (gpm)	110 (23.0)
Oil flow max.	l/min (gpm)	150 (39.6)
Pressure max.	bar (psi)	210 (3 000)
<b>HYDRAULIC FLUID REQUIREMENTS</b>		
Viscosity	cSt	10–200 / optimum 25-35
Temperature **	°C (°F)	max. 70 (158)
Filter ratio	µm	25 or better
Cooling capacity requirement	kW	2

Gallons are U.S. liquid gallons

\* Depending on hydraulic fluid.



Menotie 3  
FI-33470 Ylöjärvi, Finland  
tel: +358 3 3488 200  
info@dynaset.com



#### ELECTRICITY

HG Hydraulic Generator  
HGV POWER BOX Variable Hydraulic Generator System  
HGV Variable Hydraulic Generator System  
HWG Hydraulic Welding Generator  
HGG Hydraulic Ground Power Generator



#### HIGH PRESSURE WATER

HPW Hydraulic High Pressure Water Pump  
HPW Hydraulic Power Washer  
KPL High Pressure Street Washing Unit  
HPW-DUST High Pressure Dust Suppression System  
PPL High Pressure Pipe Cleaning Unit  
HDF Hydraulic Drilling Fluid Pump  
HPW-FIRE High Pressure Firefighting System  
FP Firefighting Piercing Kit  
JPL High Pressure Bin Washing System  
HSP Hydraulic Submersible Pump



#### COMPRESSED AIR

HK Hydraulic Piston Compressor  
HKR Hydraulic Screw Compressor  
HKL Hydraulic Rotary Vane Compressor



#### VACUUM

HCF Hydraulic Centrifugal Fan  
HRVB Hydraulic Recycling Vacuum Bucket



#### MAGNET POWER

HMG PRO Hydraulic Magnet Generator  
MAG Lifting Magnet  
HMAG PRO Hydraulic Magnet



#### VIBRATION

HVB Hydraulic Vibra  
HVD Hydraulic Directional Vibra  
HRC Hydraulic Reversal Cylinder



#### POWER BOOSTING

HPI Hydraulic Pressure Intensifier  
HPIC Hydraulic Pressure Intensifier for Cylinder



#### KNOW-HOW

Hydraulic Power Take-off (PTO)  
Installation Valves  
HMV Hydraulic Modular Valve System  
HHK Hydraulic Grinder  
HV Hydraulic Winch & HVY Hydraulic Winch Unit  
De-Icing Technology  
HEU Hydraulic Expansion Unit  
HPU Hydraulic Power Unit  
HRU Hydraulic Rescue Unit

[www.dynaset.com](http://www.dynaset.com)

